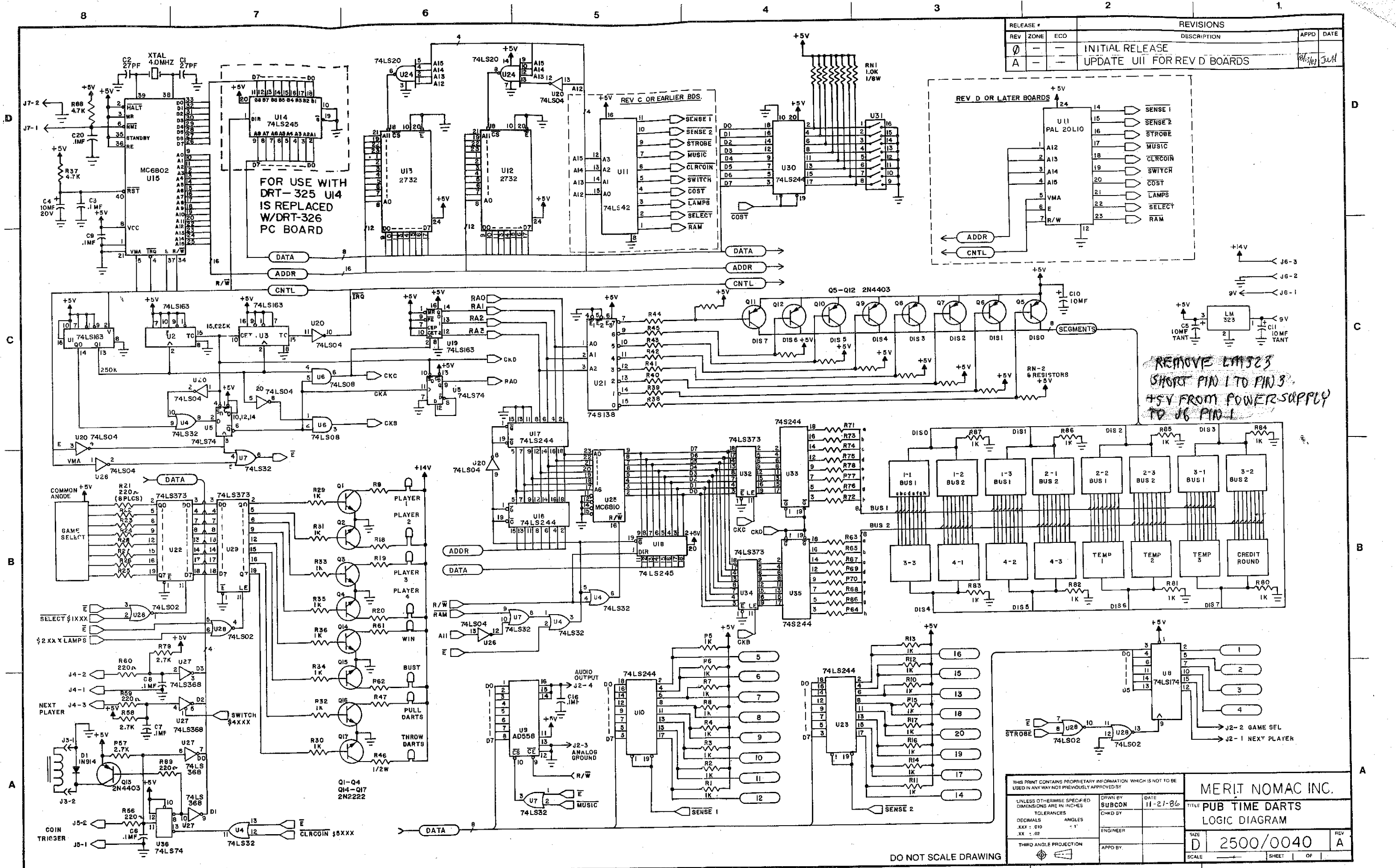
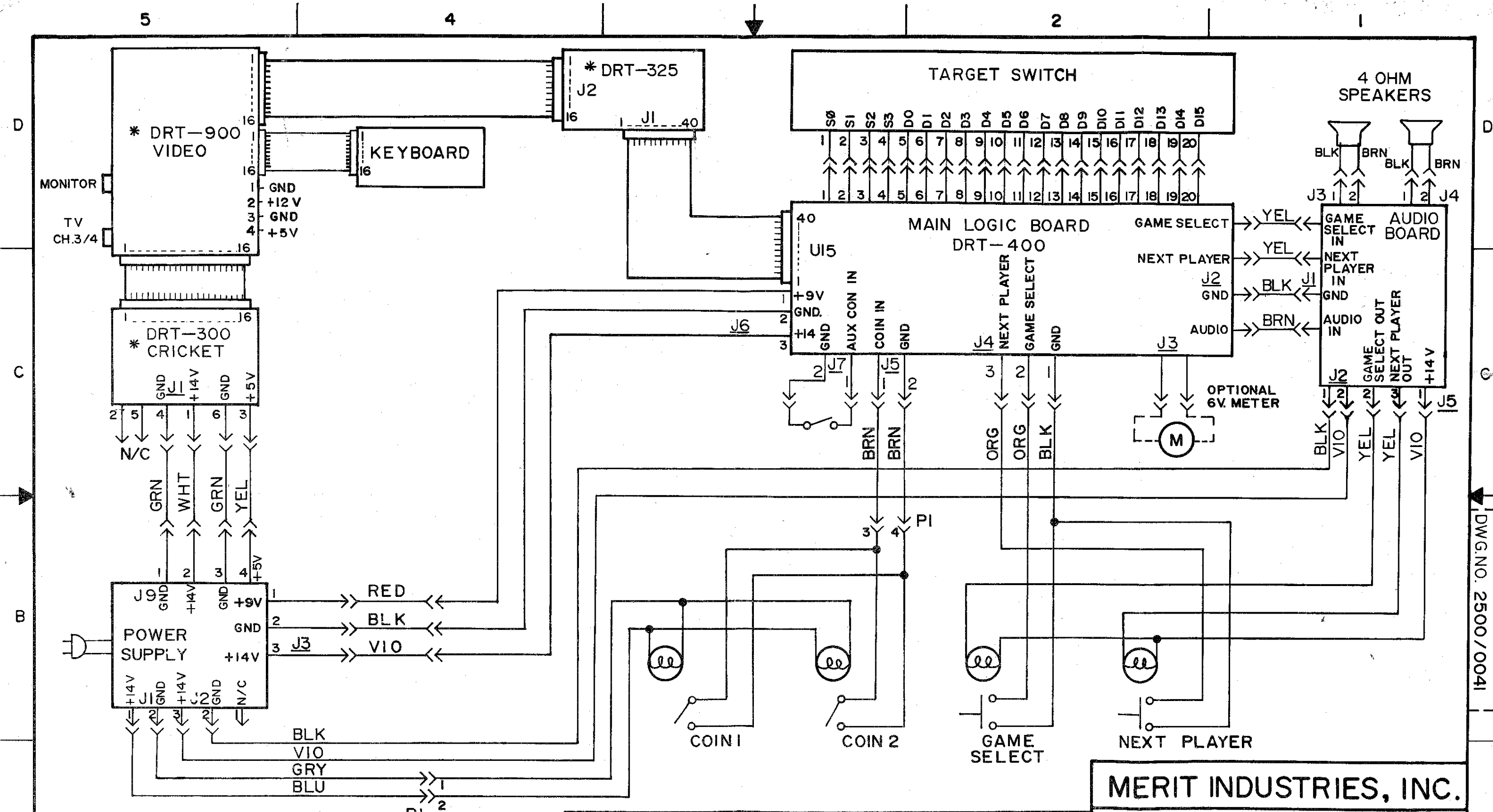


RELEASE #			REVISIONS		
REV	ZONE	ECO	DESCRIPTION	APPD	DATE
0	-	-	INITIAL RELEASE		
A	-	-	UPDATE UI1 FOR REV D BOARDS	6/1/86	JWH



THIS PRINT CONTAINS PROPRIETARY INFORMATION WHICH IS NOT TO BE USED IN ANY WAY NOT PREVIOUSLY APPROVED BY		MERIT NOMAC INC.	
UNLESS OTHERWISE SPECIFIED DIMENSIONS ARE IN INCHES	DRW BY SUBCON	DATE 11-21-86	TITLE PUB TIME DARTS LOGIC DIAGRAM
DECIMALS ANGLES .XXX : 010 ° -1'	CHKD BY	ENGINEER	SIZE D 2500/0040
THIRD ANGLE PROJECTION	APPD BY	SCALE	REV A



NOTES: 1. RIBBON CABLE WIRING
 PIN 1 — PIN 1
 PIN 2 — PIN 2
 ETC.
 2. (*) OPTIONAL FOR DELUXE GAMES ONLY.

REVISIONS						
ZONE	LTR	ECN. NO.	DESCRIPTION — SEE. ECN.	CHK	DATE	APPROVED
—	Ø/A	—	OBSOLETE			
—	B	—	ADDED DRT-900		9-22-87	11-9-87

MERIT INDUSTRIES, INC.

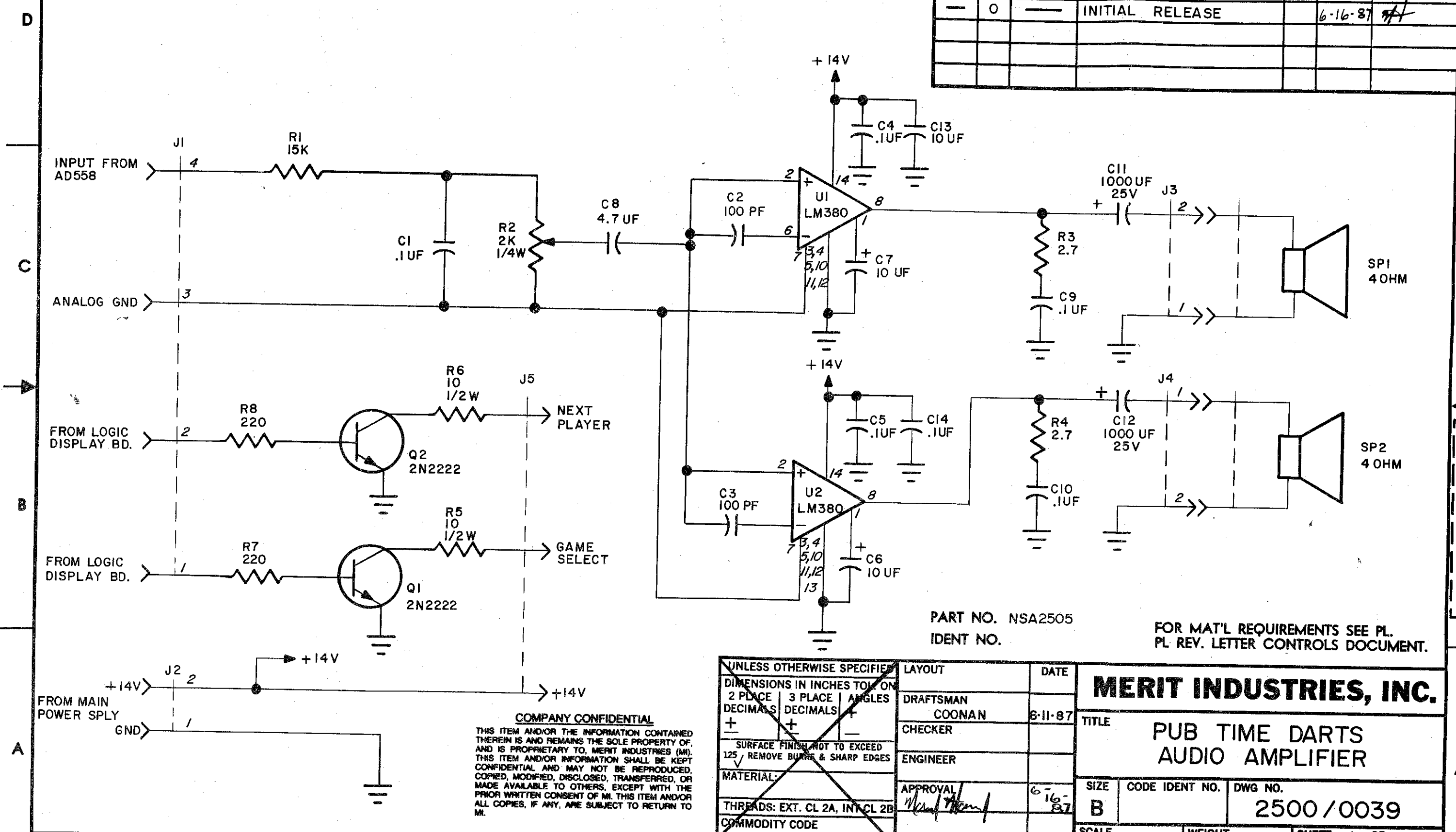
TITLE: PUB TIME DARTS INTERCONNECTION DIAGRAM

SIZE B	CODE IDENT. NO.	DWG. NO. 2500/0041
SCALE	WEIGHT	SHEET 1 OF 1

REV Ø A B

DWG. NO. 2500/0041

REVISIONS						
ZONE	LTR	ECN. NO.	DESCRIPTION — SEE. ECN	CHK	DATE	APPROVED
—	0	—	INITIAL RELEASE		6-16-87	<i>[Signature]</i>



PART NO. NSA2505
IDENT NO.

FOR MAT'L REQUIREMENTS SEE PL.
PL. REV. LETTER CONTROLS DOCUMENT.

COMPANY CONFIDENTIAL
THIS ITEM AND/OR THE INFORMATION CONTAINED THEREIN IS AND REMAINS THE SOLE PROPERTY OF, AND IS PROPRIETARY TO, MERIT INDUSTRIES (MI). THIS ITEM AND/OR INFORMATION SHALL BE KEPT CONFIDENTIAL AND MAY NOT BE REPRODUCED, COPIED, MODIFIED, DISCLOSED, TRANSFERRED, OR MADE AVAILABLE TO OTHERS, EXCEPT WITH THE PRIOR WRITTEN CONSENT OF MI. THIS ITEM AND/OR ALL COPIES, IF ANY, ARE SUBJECT TO RETURN TO MI.

UNLESS OTHERWISE SPECIFIED: DIMENSIONS IN INCHES TO 1/16" 2 PLACE DECIMALS 3 PLACE DECIMALS ANGLES + + - SURFACE FINISH NOT TO EXCEED 125 REMOVE BURRS & SHARP EDGES MATERIAL: THREADS: EXT. CL 2A, INT. CL 2B COMMODITY CODE	LAYOUT	DATE	MERIT INDUSTRIES, INC.	
	DRAFTSMAN COONAN	6-11-87		TITLE PUB TIME DARTS AUDIO AMPLIFIER
	CHECKER			SIZE B
	ENGINEER			CODE IDENT NO. 2500/0039
APPROVAL <i>[Signature]</i>	6-16-87	DWG NO. 2500/0039	SIZE B	
			SCALE	
			WEIGHT	
			SHEET 1 OF 1	

